



Reliable even in the **toughest** conditions

HUSKY
The Original Cool Ideas Co.



VIS28/38 cabinets >>>



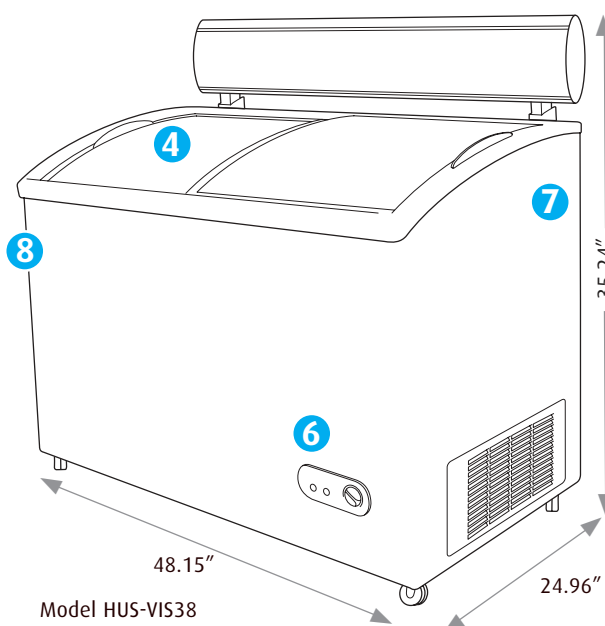
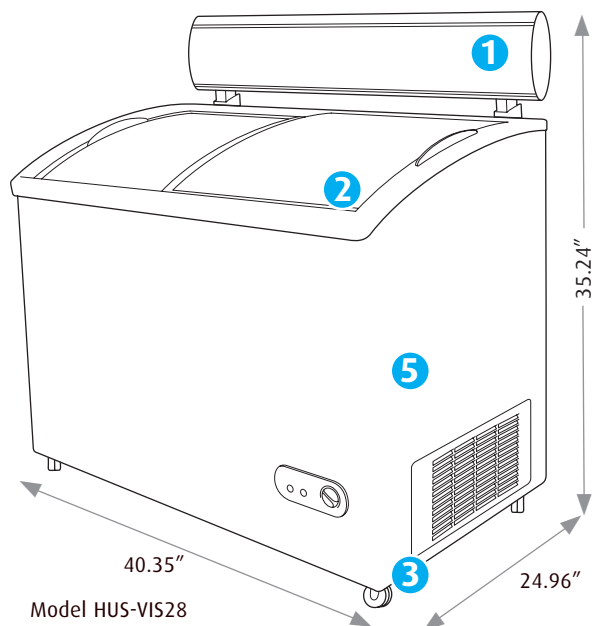
VIS28/38 cabinets

Features

Ice cream is the dessert everybody loves. It's easy to serve and there's never been a wider selection of flavors. Consider the better marketing of global brands and a wider appreciation of real dairy ice cream, and you'll see why it's on everyone's shopping list, all year round.

A new Husky freezer will display your new lines with bright, hygienic efficiency. There's simply no better quality.

- 1 Lightbox** for maximum visibility
- 2 Baskets** ensure the stock remains separated and easy to restock
- 3 Lockable castors** move the unit around with minimal effort
- 4 Sliding glass lids**, with lock fitted as standard, allows easy access and high stock visibility
- 5 Pressure foamed insulation** Ensures minimum running costs
- 6 Temperature control** relative to store temperature for greater energy efficiency
- 7 Sturdy construction** for longer life
- 8 Round corners** ensure smooth finish and are easy to clean.



Specifications



HUS-VIS28 Cabinet

External Dimensions: 35.24x40.35x24.96" (HxWxD)
 Weight: 135 lbs
 Capacity: 8.76 cu.ft.
 Temp range: 32°F-0°F
 Refrigerant: R134A
 Baskets: 3 metal
 Consumption: 3.2kWh/24h
 Approval: CE



HUS-VIS38 Cabinet

External Dimensions: 35.24x48.15x24.96" (HxWxD)
 Weight: 150 lbs
 Capacity: 10.88 cu.ft.
 Temp range: 32°F-0°F
 Refrigerant: R134A
 Baskets: 4 metal
 Consumption: 4.4kWh/24h
 Approval: CE

HUSKY
 The Original Cool Ideas Co.

www.husky-group.com

Husky Direct Ltd.
 The 4 Degree Centre
 Bilton Way
 Lutterworth LE17 4JA
 United Kingdom
 Tel: +44 (0)1455 555340
 Fax: +44 (0)1455 555351
 E-mail: info@husky-direct.com

Offices in USA, UK, China, Germany, Australia, South Africa, India, Ireland, and Venezuela.



BRITISH FAMILY COMPANY SINCE 1957

Models shown for illustrative purposes only. Specifications may change without notice. It is the responsibility of the purchaser to confirm dimensions before ordering. Trademarks acknowledged to be property of their owners. E80E.