



Efficient – even in the **toughest** conditions

**HUSKY**  
The Original Cool Ideas Co.



TESTED & SPECIFIED FOR  
EXTREME **110°F**  
AMBIENT

Stainless Steel  
Prep counter refrigerators >>

Designed to operate in 110°F ambient temperature



# Prep counter refrigerators

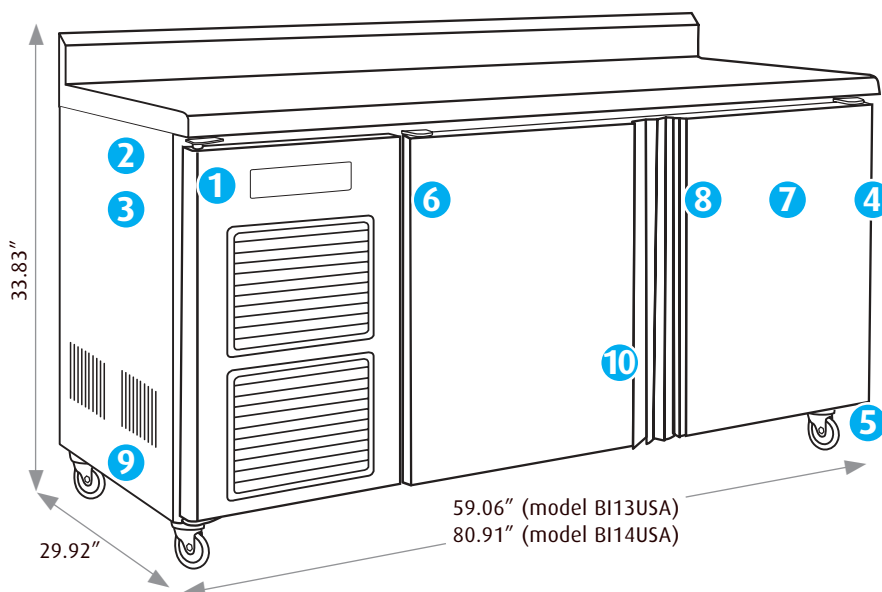
## two & three door

### Features

- 1 Digital temperature display
- 2 High ambient operating temperature up to 110°F
- 3 304 food grade stainless steel exterior and interior
- 4 Strong hinges – capable of withstanding enormous force
- 5 Four soft castors, two lockable
- 6 Rounded edges with no gaps
- 7 Easily removable interior components
- 8 Smooth edge, easy grasp handles
- 9 Pressed steel fabrication
- 10 Ventilated Cooling technology
- 11 Meets all food storage safety requirements
- 12 Automatic defrost
- 13 Self closing doors. Doors also open to 110°.

The Husky range of undercounter refrigerators is designed to complement our range of upright fridges and freezers. Naturally, they meet the same level of heavy industrial specification and are manufactured in tough, food grade 304 stainless steel, inside and out.

With a large operating surface, and a choice of two or three self-closing doors, the Husky undercounter range ensures you get the maximum use from your busy kitchen space. Thanks to its advanced digital control and its very high operating ambient temperature of up to 110°F, it will keep on chilling in the very hottest of working conditions.



### Specifications



#### HUS-BI13D 2-door undercounter fridge

External Dimensions: 33.83x59.06x29.92" (HxWxD)  
 Capacity: 11.3 cu.ft.  
 Weight: 240.3 lbs.  
 Temp range: 32F°-50°F  
 Refrigerant: R134A  
 Shelves: 2  
 Castors: 4 (2 lockable)  
 Defrost: Automatic  
 Voltage: 110v/60Hz  
 Consumption: 2.84kWh/24h  
 Container Qty: 46  
 Approval: CE



#### HUS-BI14D 3-door undercounter fridge

External Dimensions: 33.83x80.91x29.92" (HxWxD)  
 Capacity: 19 cu.ft.  
 Weight: 343.9 lbs.  
 Temp range: 32F°-50°F  
 Refrigerant: R134A  
 Shelves: 3  
 Castors: 4 (2 lockable)  
 Defrost: Automatic  
 Voltage: 110v/60Hz  
 Consumption: 4.20kWh/24h  
 Container Qty: 34  
 Approval: CE



[www.husky-group.com](http://www.husky-group.com)

**Husky Direct Ltd.**  
 The 4 Degree Centre  
 Bilton Way  
 Lutterworth LE17 4JA  
 United Kingdom  
 Tel: +44 (0)1455 555340  
 Fax: +44 (0)1455 555351  
 E-mail: [info@husky-direct.com](mailto:info@husky-direct.com)

Offices in USA, UK, China, Germany, Australia, South Africa, India, Ireland, and Venezuela.

Models shown for illustrative purposes only. Specifications may change without notice. It is the responsibility of the purchaser to confirm dimensions before ordering. Trademarks acknowledged to be property of their owners. E80E.



BRITISH FAMILY COMPANY SINCE 1957